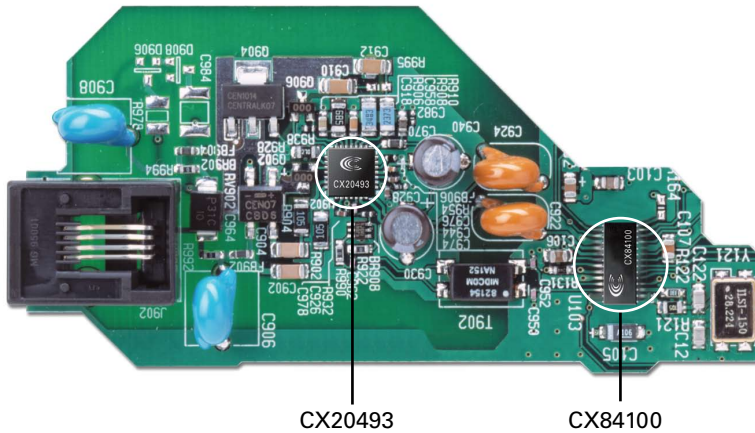


CX84100 Modem Block Diagram



Actual Modem Area 64mm x 30mm

Advantages

- Pin-compatible to SCXV.92/SCXV.43/ SCXV.32bis (CX86500-2X) in a 28-pin TSSOP package
- SmartDAA 3 technology
- Worldwide support
- Quick time-to-market
- Low-cost solution
- Small form-factor

Ordering Information

Marketing Name	Modem	SmartDAA®	Ordering Number
V.22bis Modem	CX84100-xx	CX20493-21	DS22-L100-1xx
Evaluation Board			RD01-D680-0xx
Data Sheet and Design Guide			Doc # 101979
AT Command Manual			Doc # 102000

Conexant Product Portfolio

The company's broad portfolio of semiconductor products also includes client-side DSL, cable, and dial-up modem solutions; fiber optic system-on-chips; broadcast video encoders and decoders; digital set-top box components and systems solutions; and IEEE 802.11a/b/g/n-compliant WLAN chipsets. Additional products include a complete line of asymmetric and symmetric DSL central office solutions, which are used by service providers worldwide to deliver broadband data, voice, and video over copper telephone lines.

© 2002, Conexant Systems, Inc. All Rights Reserved. Conexant and the Conexant logo are registered trademarks of Conexant Systems, Inc. All other trademarks are owned by their respective owners. Although Conexant strives for accuracy in all its publications, this material may contain errors or omissions and is subject to change without notice. **THIS MATERIAL IS PROVIDED AS IS AND WITHOUT ANY EXPRESS OR IMPLIED WARRANTIES, INCLUDING MERCHANTABILITY, FITNESS FOR A PARTICULAR PURPOSE AND NON-INFRINGEMENT.** Conexant shall not be liable for any special, indirect, incidental or consequential damages as a result of its use.

www.conexant.com
General Information:
U.S. and Canada: (800) 854-8099
International: (949) 483-6996
Headquarters – Newport Beach
4311 Jamboree Rd, P.O. Box C
Newport Beach, CA 92660-3095

Doc# PBR-200355

